

Oil Condition Monitoring Inflow Adaptor

For use with Gill's Oil Condition Monitoring sensor



TBE Anlagendiagnostik GmbH
SV | Ingenieurbüro | Condition Monitoring

The Gill Oil Condition Inflow adaptor allows installation of the Oil Condition Sensor head at a convenient position within the lubrication bypass circuit of the equipment.

Fitted to pipe sizes of up to 1.5" diameter, the adaptor uses a bespoke mounting flange that fits the Gill Oil Condition Sensor head, ensuring convenient positioning and full functionality of both the ferrous debris and dielectric sensors are available.

Using standard industrial pipe fittings ensures a wide range of additional pipe size reducers, hose fittings and isolation valves can be specified according to requirements.



** Sensor available separately*

Typical Applications

- Engines
- Gearboxes
- Pumps
- Hydraulics

Key Features

- Bespoke sensor head mount (*Image a*)
- Industry Standard BSP connections
- Stainless steel construction for durability
- Designed for M20 X 1.5 sensor head fitting



Image a

Advantages

- Flexibility over positioning in the lubricating circuit makes it easy to position the sensor for best performance.
- Can be used with a range of pipe diameter sizes when used with reducers. (not supplied)
- Compact, for installation where space is limited
- High quality stainless steel construction gives dependable long-life and corrosion-free service

For more information visit:

www.tbe.cc

GILL

Oil Condition Monitoring Inflow Adaptor

For use with Gill's Oil Condition Monitoring sensor




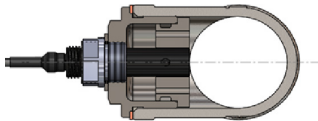
TBE Anlagendiagnostik GmbH
SV | Ingenieurbüro | Condition Monitoring

Compatibility	
	4212-00-161
Oil Condition Sensor with Display	✓
Oil Condition Sensor without Display	✓
BSP 1.5" Connections	✓
BSP 1.25" Connections	✓
BSP 1" Connections	✓
BSP 0.75" Connections	✓
BSP 0.5" Connections	✓
BSP 0.375" Connections	✓
BSP 0.25" Connections	✓

Materials	
Equal Tee	Stainless Steel 316
Sensor Flange	Stainless Steel 316 with PTFE Sealing Washer
Hex Nipple	Stainless Steel 316

Specification	
Hose Compatibility	0.25" (6mm) - 1.5" (38mm)
Operating Temperature	-20°C to +200°C
Pressure Rating	<10 Bar
Oil Resistance	Hydraulic, Gear, Mineral, Vegetable, Semi-synthetic, Semi-ester, Polyalphaolefin, Polyalkyleneglycol

Installation

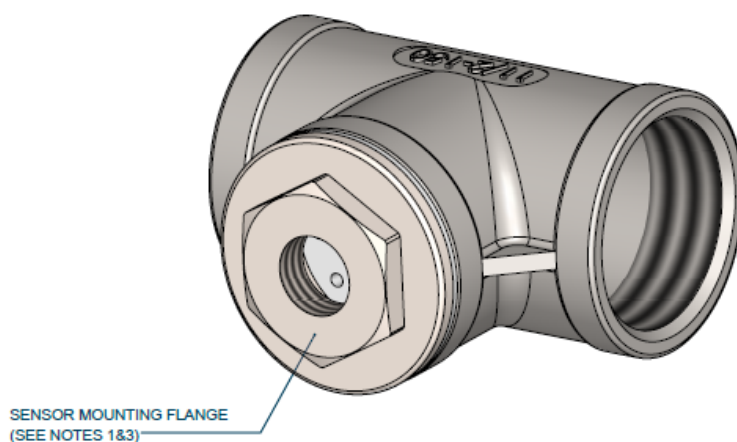
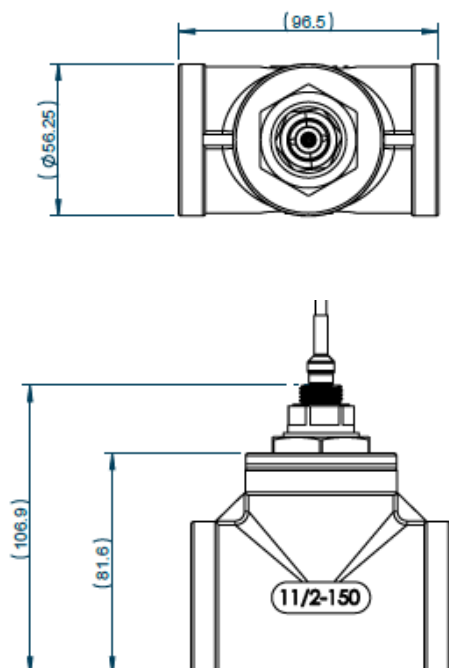
Important.
Ensure the sensor is mounted horizontally in the flow and upstream of any filters.

Ordering

	4212-00-161
Sensor Mounting Tee	1.5"

Please note.
Hose tails and size reducers will be required for smaller diameter pipe systems

Specification may be subject to change without prior notice.



3D VIEW
SCALE 1:1