

Oil Condition Monitoring Inflow Adaptor

For use with Gill's oil condition monitoring sensor



TBE Anlagendiagnostik GmbH
SV | Ingenieurbüro | Condition Monitoring

The Gill Oil Condition inflow adaptor kit allows installation of the Oil Condition Sensor head at a convenient position within the lubrication bypass circuit of the equipment.

Combining a specialist pipe mounting for the sensor head within the oil flow and high quality isolation valves in either 1" or 1.5" diameter, this fitting kit allows the optimum positioning of the sensor head for best performance and convenience to the user whilst the included valves facilitate easy sensor inspection with minimal oil loss.

Made from heavy-duty stainless steel, the adaptor kit can be used with any 2 pipe system up to 1.5" without pressure drop. By using additional industry standard hose-tail reducers, it is compatible with a broad range of equipment and applications.

Typical Applications

- Engines
- Gearboxes
- Pumps
- Hydraulics

Key Features

- Bespoke sensor head mount (*Image a*)
- Industry Standard BSP connections
- Stainless steel construction for durability
- Heavy-duty isolation valves (*Image b*)
- Adaptor mounting brackets included

Advantages

- Flexibility over positioning in the lubricating circuit makes it easy to position the sensor for best performance.
- Isolation valves allow quicker inspection of the sensor head, keeping equipment operational more of the time.
- High quality stainless steel construction gives dependable long-life, corrosion free service.
- There is minimal oil loss when the isolation valves are used to inspect the sensor head, keeping maintenance costs down.
- There are no warranty issues associated with installing a sensor directly to the equipment when used on the flow return pipe work that is off-product.



** Sensor available separately*



Image a



Image b

For more information and for details of where to purchase please visit:

www.tbe.cc

GILL

Oil Condition Monitoring Inflow Adaptor

For use with Gill's oil condition monitoring sensor




TBE Anlagendiagnostik GmbH
SV | Ingenieurbüro | Condition Monitoring

Compatibility		
	4212-00-160-150	4212-00-160-100
	Inflow Oil Condition Kit 1.5"	Inflow Oil Condition Kit 1.0"
Oil Condition Sensor with Display	✓	✓
Oil Condition Sensor without Display	✓	✓
BSP 1.5" Connections	✓	X
BSP 1.25" Connections	✓	X
BSP 1" Connections	X	✓
BSP 0.75" Connections	X	✓
BSP 0.5" Connections	X	✓
BSP 0.375" Connections	X	✓
BSP 0.25" Connections	X	✓

Materials	
Equal Tee	Stainless Steel 316
Sensor Flange	Stainless Steel 316 with PTFE Sealing Washer
Hex Nipple	Stainless Steel 316
Ball Valve	2 Piece Stainless Steel 316
Mounting Brackets	Stainless Steel 316

Specification	
Hose Compatibility	0.25" (6mm) - 1.5" (38mm)
Operating Temperature	-20°C to +200°C
Pressure Rating	<10 Bar
Oil Resistance	Hydraulic, Gear, Mineral, Vegetable, Semi-synthetic, Semi-ester, Polyalphaolefin, Polyalkyleneglycol

Installation



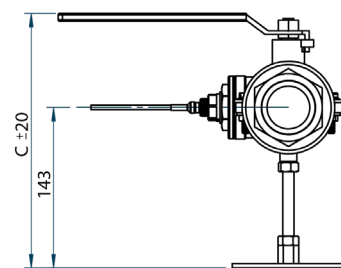
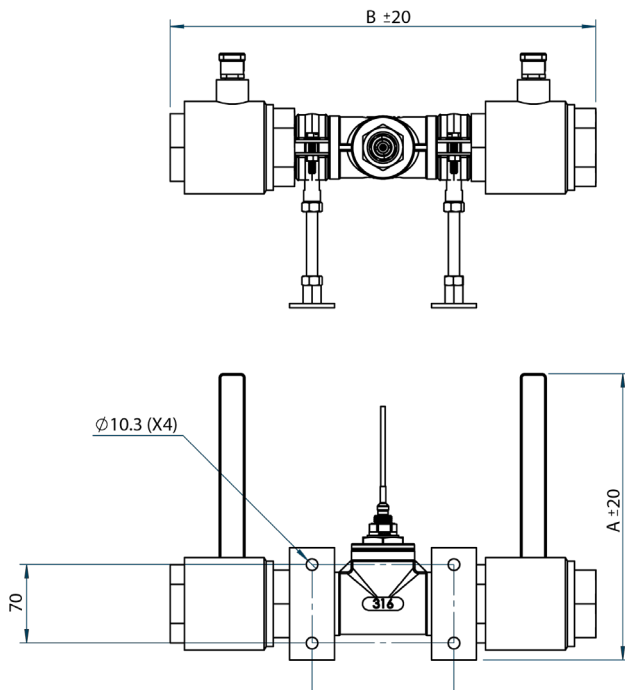
Important.
Ensure the sensor is mounted horizontally in the flow and upstream of any filters.

Ordering

	4212-00-160-150	4212-00-160-100
Sensor Mounting Tee	1.5"	1.5"
Valve Connecting Bush	1.5" x 1.5"	1.5" x 1.0"
BSP 2 Piece Ball Valve	1.5"	1.0"

Please note.
Hose tails and size reducers will be required for smaller diameter pipe systems

Specification may be subject to change without prior notice.



Dimensions			
	A	B	C
4212-00-160-150	235	355	220
4212-00-160-100	185	275	200

For more information and for details of where to purchase please visit:

www.tbe.cc

3002-292 Issue 1 E&OE

